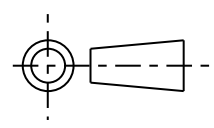


ISS.	DATE	E.C.N.	DESCRIPTION
3	15-Jan-07	1/07/1198	SCALLOP SIZE INCREASED

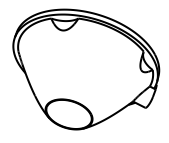
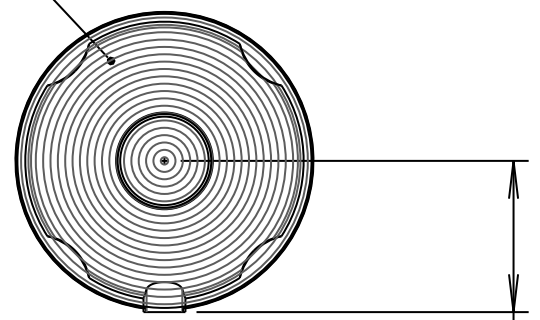
© 2007 CARCLO  
ALL DIMENSIONS IN mm



CARCLO TECHNICAL PLASTICS (SLOUGH) LTD.  
111 BUCKINGHAM AVE, SLOUGH  
SL1 4PF, ENGLAND  
TEL: +44 1753 575011 FAX: +44 1753 811359  
e-mail: design@carclo-optics.com

CUSTOMER DRAWING

1/1 X 200 X T



3D VIEW  
SCALE 1:1

GENERAL TOLERANCES (UNLESS STATED)

LINEAR	ANGULAR
X +/- 0.25	X +/- 1°
X.X +/- 0.1	X.X +/- 0.5°
X.XX +/- 0.05	X.XX +/- 0.1°

CUSTOMER

CARCLO

TITLE

LED Optic 25 Deg

DRAWN RJL DATE 26-Jun-02

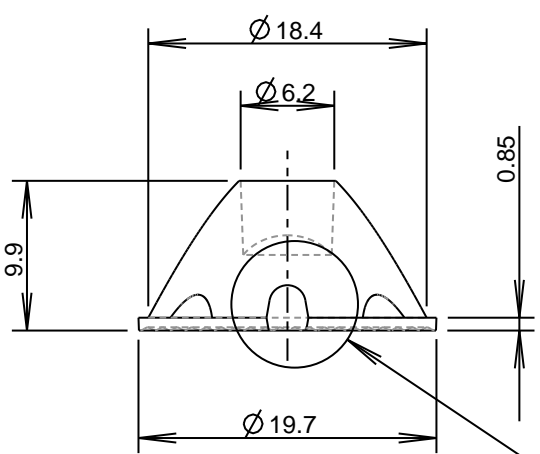
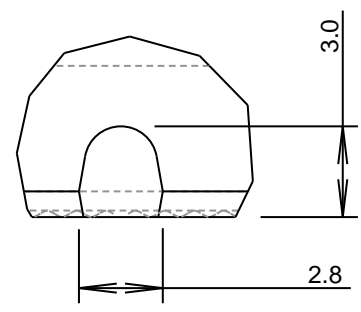
CHK'D DATE

APP'D DATE

SCALE 2:1 COIL PART No. 10003/25

SIZE A4 COIL DRG. No. 60319 SHEET 1 OF 1

DETAIL A  
SCALE 4:1



10.0 +1.2

SEE DETAIL A

- NOTES:-  
1. MATERIAL: UV STABILISED POLYCARBONATE  
2. INCLUSIONS SPECIFIED TO BS4301