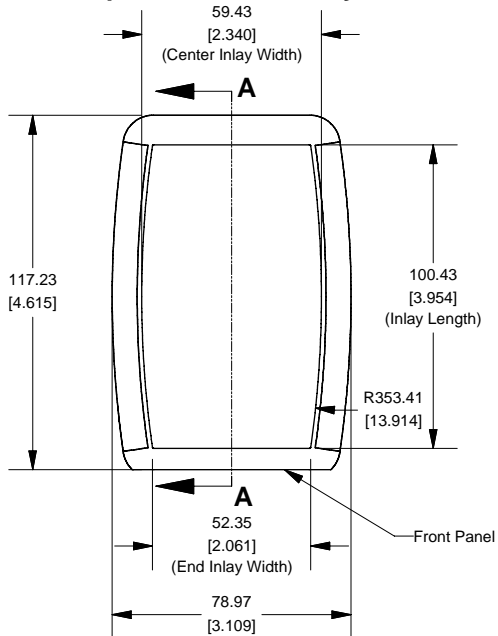
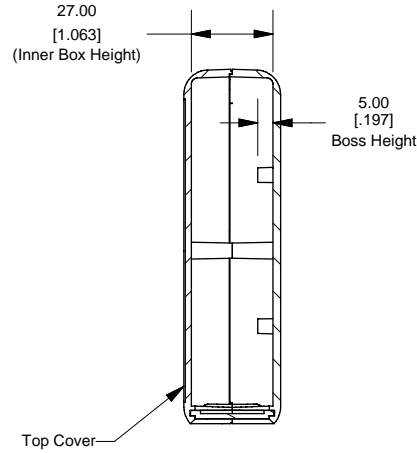


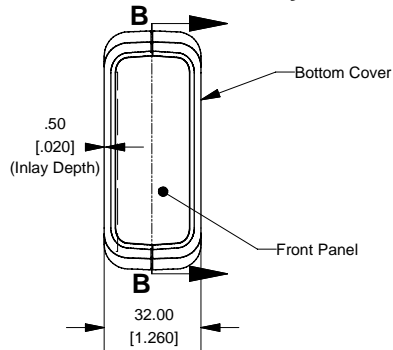
Top View of Assembly



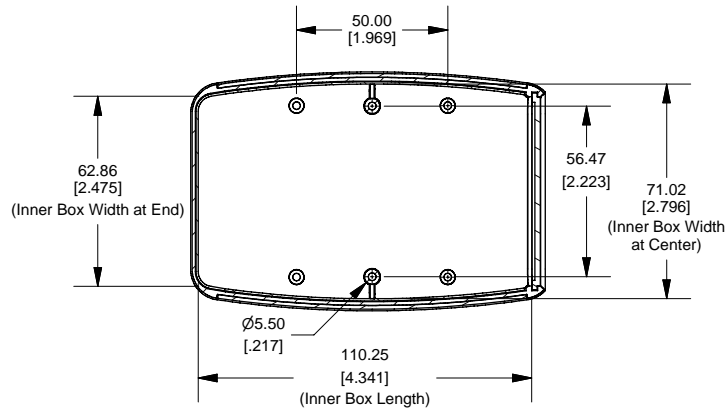
SECTION A-A (Side View Inside Assembly)



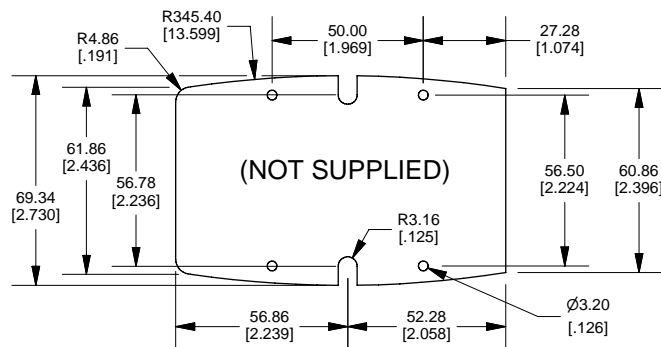
End View of Assembly



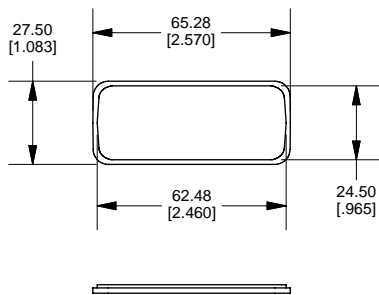
SECTION B-B (Inside of Bottom Cover)



Maximum PCB Size



Front Panel



NOTE

Enclosure molded from GP ABS plastic.

Purchased assembly includes top and bottom cover, front plastic panel and 2 cover screws.

PART NUMBERS

1553C Enclosure

Black Enclosure/Grey Over-mold	1553CBK
Grey Enclosure/Grey Over-mold	1553CGY

ACCESSORIES

P.C. Board Screws	1593ATS50 (Pkg 50) 1593ATS100 (Pkg 100)
Belt or Pocket Clip	1599CLIP (Black) 1599CLIPGY (Grey)

**HAMMOND
MANUFACTURING™**

1553C

www.hammondmfg.com