



# Elektrotechnik Karl-Heinz Mauz GmbH

**RMP-45SW-DT/PT** (Artikel-Nr. 183031)

**EKULIT**

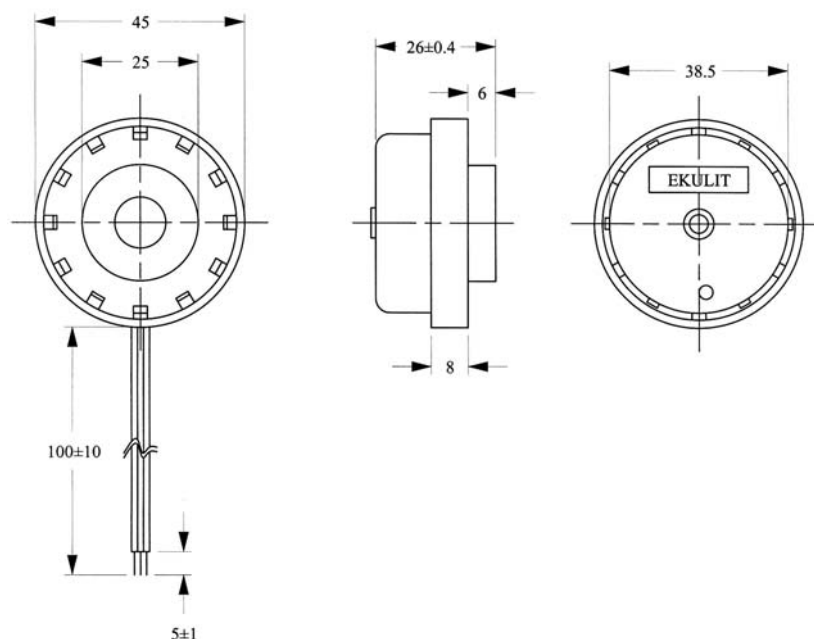
## SPECIFICATIONS:

TYPE	UNIT	RMP-45SW-DT/PT
• Min. Sound Output at 30cm	dB	100
Rated Voltage	V	12
Operating Voltage	V	3~16
Resonant Frequency	Hz	3.200±500
• Max. Current Consumption	mA	≤35/20
Pulse Rated (Pulse/Sec)		NIL~2/7
Tone	Single (red+/black-) Pulse (red+/yellow-)	
Operating Temperature	°C	-20~+60
Storage Temperature	°C	-30~+70
Terminal		3 Leads

• Value applying at rated voltage (DC)

## DIMENSIONS :

(Unit: mm)



Adresse: **Felix-Wankel-Str. 35 • 73760 Ostfildern/Nellingen**

Tel: **+49-711/3414023**

Fax: **+49-711/3414024**

E-mail: **info@ekulit.de** Web site: **www.EKULIT.de**