



Elektrotechnik Karl-Heinz Mauz GmbH

LSM-66F (Artikel-Nr. 120090)

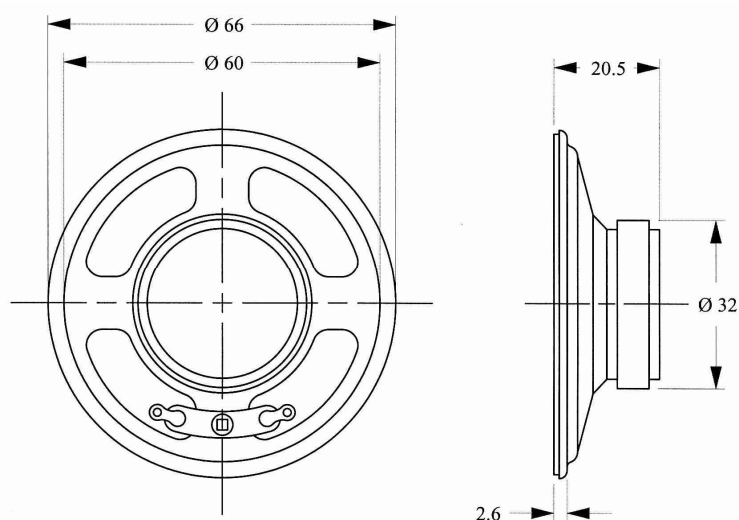
EKULIT

SPECIFICATIONS:

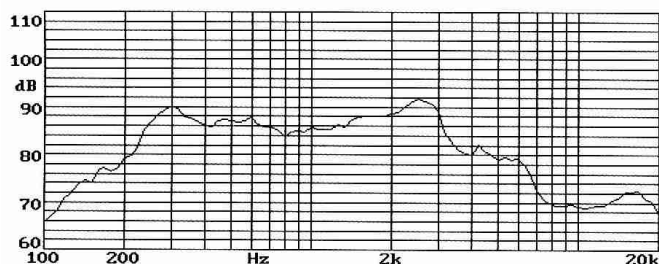
TYPE	UNIT	LSM-66F
Impedance	Ω	$8 \pm 15\%$
Power (Nominal)	W	0.5
Power (Maximum)	W	1.0
Resonant Frequency	Hz	$350 \pm 20\%$
Sound Pressure Level	dB	88 ± 3
Frequency Range	Hz	Fo~4.000
Operating Temperature	$^{\circ}\text{C}$	-10~+50
Storage Temperature	$^{\circ}\text{C}$	-20~+60

DIMENSIONS :

(Unit: mm)



Frequency response:



Adresse: Felix-Wankel-Str. 35 • 73760 Ostfildern/Nellingen

Tel: +49-711/3414023

Fax: +49-711/3414024

E-mail: info@ekulit.de Web site: www.EKULIT.de