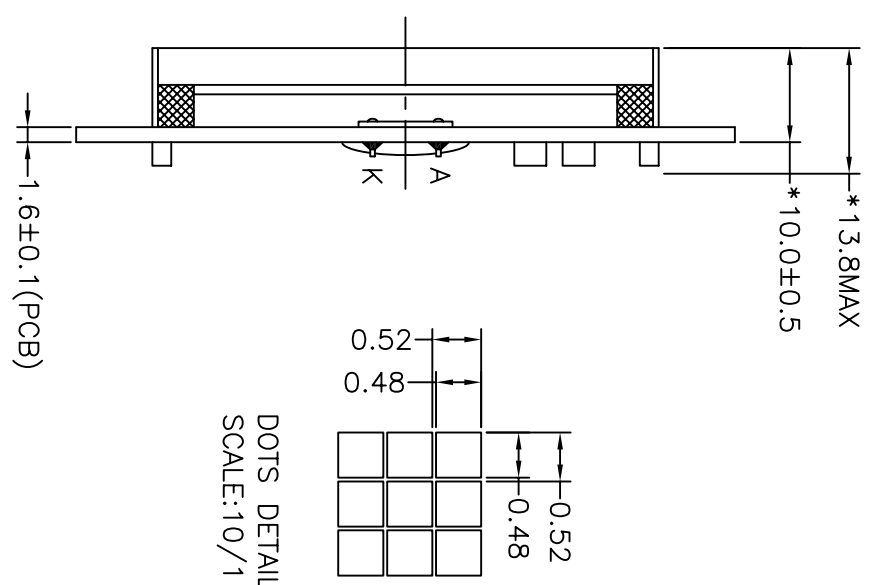
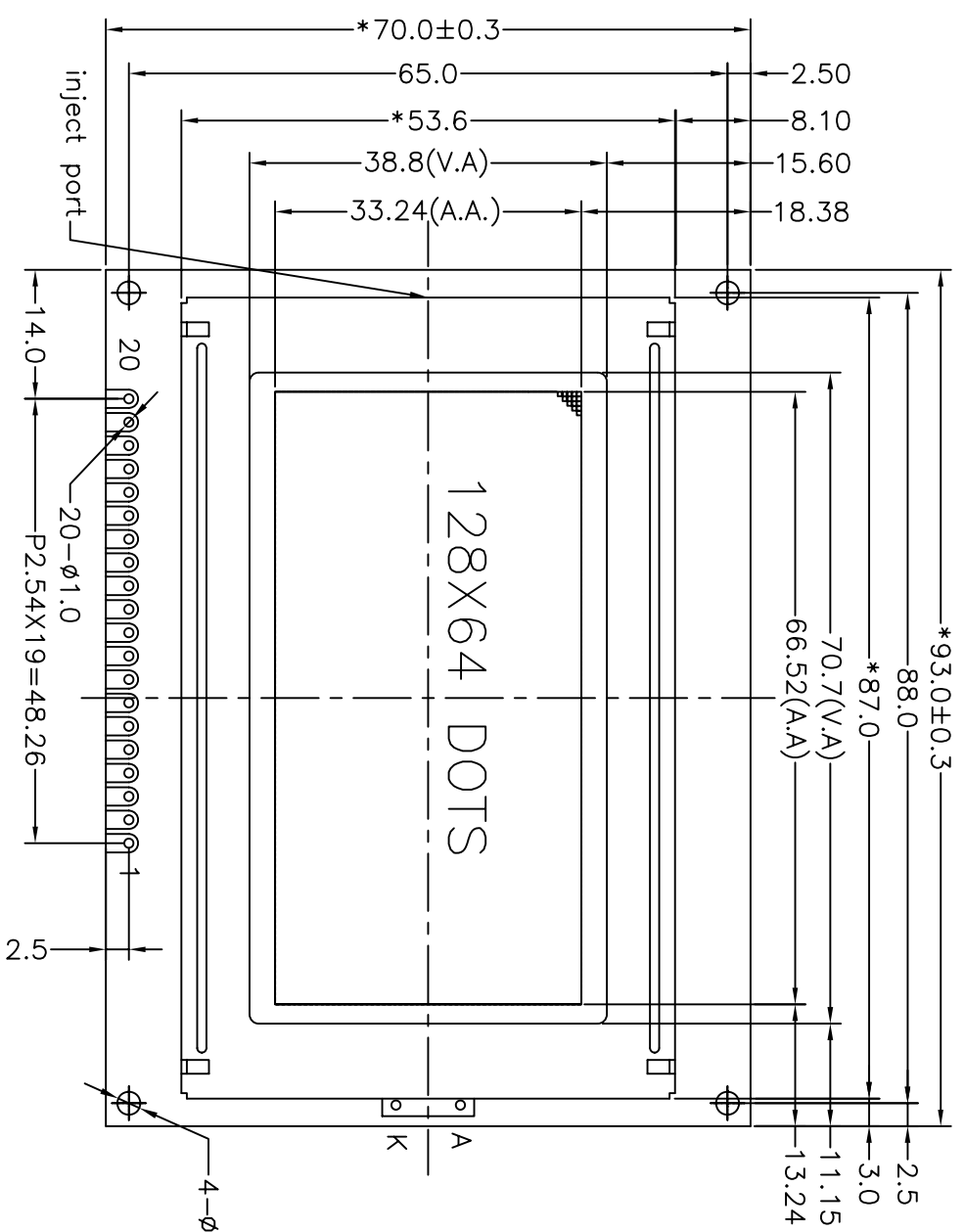


REV 版本	DESCRIPTION 描述	DATE 日期
A00	First issue	AUG-28-2007



VIEWING DIRECTION

PIN	1	2	3	4	5	6	7	8	9	10
CONNECTION	VSS	VDD	VO	RS	R/W	E	DB0	DB1	DB2	DB3
PIN	11	12	13	14	15	16	17	18	19	20
CONNECTION	DB4	DB5	DB6	DB7	/CS1	/CS2	RST	VEE	LEDA	LEDK

- Specification:
- 1). Driving: Duty:1/64, Bias:1/6, VLCD:8.0V, VDD:5.0V
 - 2). Viewing angle: 6 O'clock
 - 3). Display mode: STN/Positive/Transflective/YG
 - 4). Operating temp.: -20° C~+70° C
Storage temp.: -30° C~+80° C
 - 5). IC: SBN0064G/SBN6400G
 - 6). Backlight: Bottom, Y-G
 - 7). Dimensions with mark "*" are important, with mark "(") are referenced
 - 8). All the raw materials are RoHS complicant

		深圳秋田微电子有限公司 SHENZHEN AV-DISPLAY CO.,LTD.	
PART NO: 零件编号	C/D结构图	PROJECTION 三角法	MODEL NUMBER 模组型号
ABG128064A24-YHY-R			ABG128064A24YHY-R
		DO NOT SCALE THIS DRAWING.	APPROVALS 签字
			DATE
			DATE

SCALE: FIT 适应图面
比例

SHEET: 1 OF 1
页次

GENERAL TOL: ±0.3
公差

UNIT: mm
单位