



**Ordering number CA11476\_TYRA2-M**

Family	Tyra2	FWHM	32 degrees
Type	Reflector	Efficiency	90 %
LED	MP-L	cd/lm	-
Color	Metal	Gerber File	Available
Diameter	40 mm		
Height	24.3 mm		
Style	Round		
Optic Material	PC		
Holder Material	-		
Fastening	Pin, tape		
Status	Ready		

**Ordering number CA11477\_TYRA2-W**

Family	Tyra2	FWHM	52 degrees
Type	Reflector	Efficiency	89 %
LED	MP-L	cd/lm	-
Color	Metal	Gerber File	Available
Diameter	40 mm		
Height	24.3 mm		
Style	Round		
Optic Material	PC		
Holder Material	-		
Fastening	Pin, tape		
Status	Ready		

**NOTE: The typical divergence will be changed by different color, chip size and chip position tolerance. The typical total divergence is the full angle measured where the luminous intensity is half of the peak value.**



## PRODUCT DATASHEET

### Tyra2 series

last update 20/4/2012

#### GENERAL INFORMATION

- Product series especially designed & optimized for MP-L series of LEDs.
- Special care taken to make light distribution as uniform as possible.
- Reflector is made of aluminium coated PC (120 degrees of Celcius / 248 degrees of Fahrenheit) with protective lacquer (110 degrees of Celcius / 230 degrees of Fahrenheit).
- Fastening to heat sink with a PU foam adhesive tape of automotive grade. Please find fastening details by clicking link: [http://www.ledil.com/datasheets/DataSheet\\_TAPE.pdf](http://www.ledil.com/datasheets/DataSheet_TAPE.pdf)

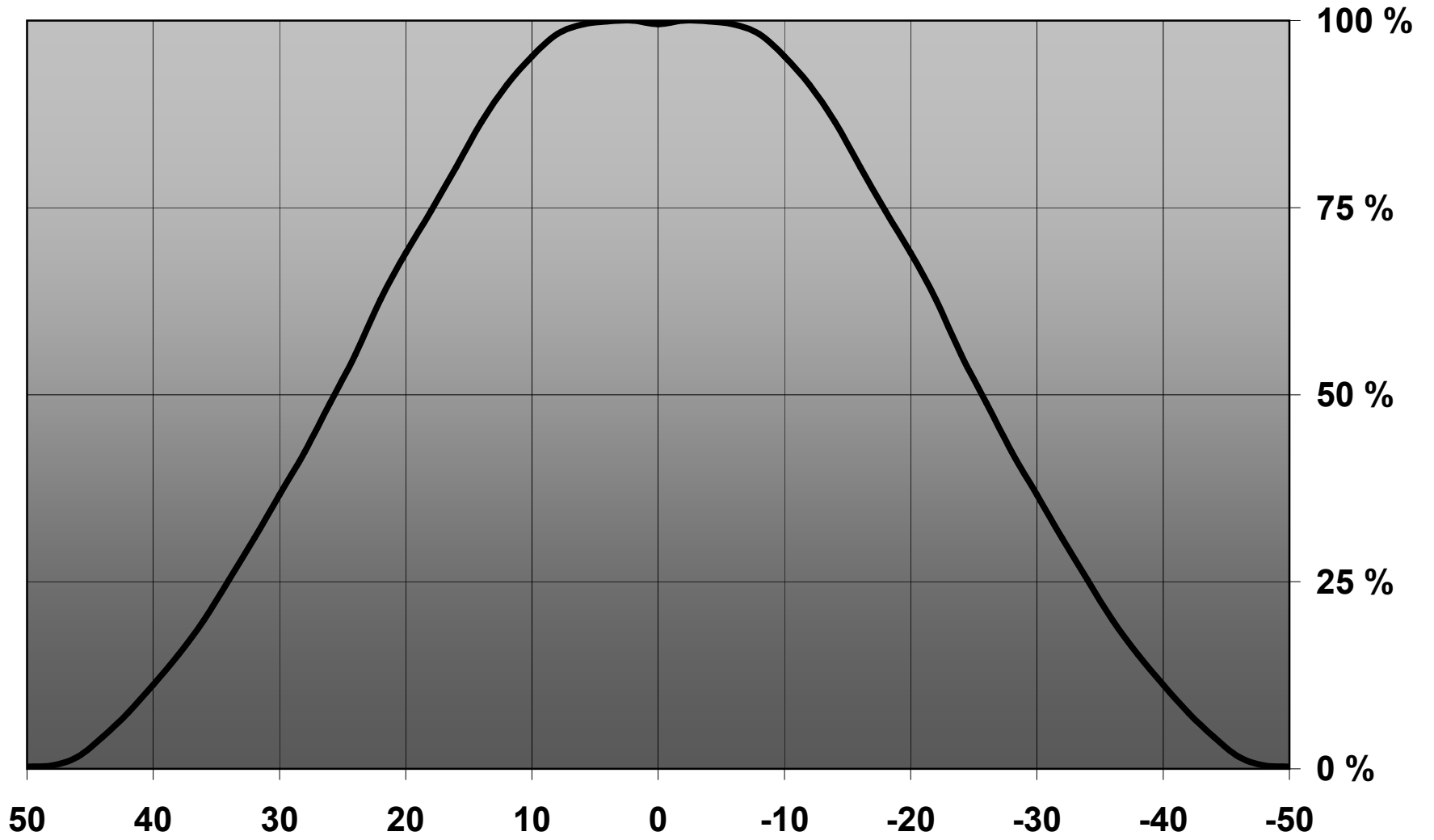
**NOTE 1: We advise customer to ensure the suitability and sufficiency of the bond in the end product. For example, mechanical stress, vibration and holes on the surface of the circuit board weaken the strength of the tape.**

**NOTE 2: Assembly to the surface must be made straight, so the tape bonds constant and balanced with fastening surface. Slanted assembly might cause unbalanced bond to the surface. All surfaces where tape is applied must be clean, dry and free from grease and dirt.**

**If cleaning of PCB surfaces is needed, please follow strictly the cleaning instructions of your LED manufacturer - this is important as cleaning shall under no circumstances damage LEDs or other electronics components on the PCB.**

**Further note that optical components shall not be cleaned with any chemicals - only micro fiber cloth may be used to remove fingerprints or other traces from handling.**

Relative Intensity of CA11477\_Tyra2-W-tape



D

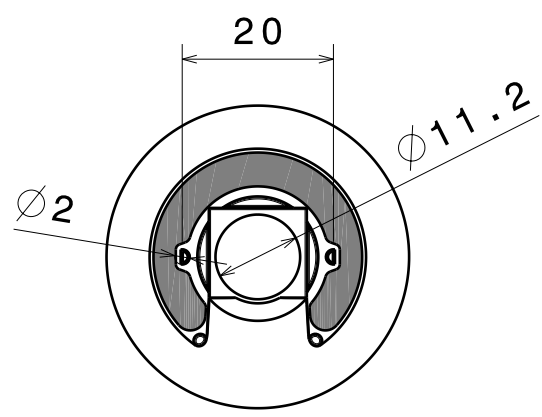
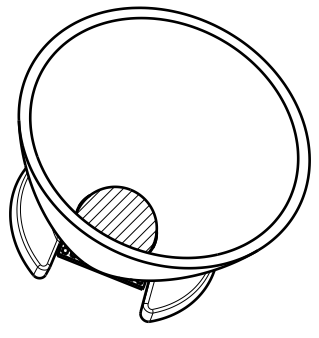
C

B

A

4

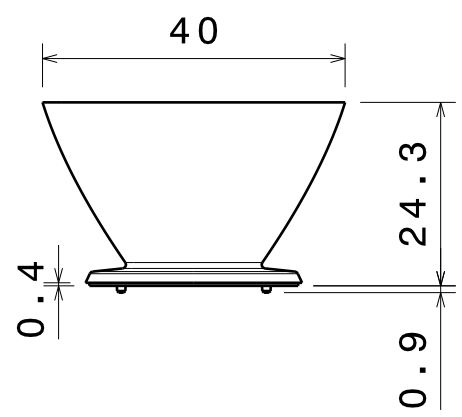
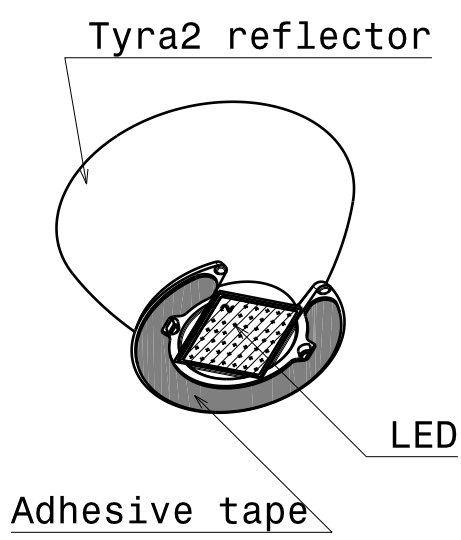
4



Bottom view

3

3



Front view

2

2

Material: PC  
 Metal coating with laquering

This drawing is our property.  
 It can't be reproduced  
 or communicated without  
 our written agreement.



Ledil Oy  
 Tehdaskatu 13  
 FIN-24100 SALO  
 Finland

DRAWING TITLE

Datasheet Tyra2 series

DRAWN BY ol	DATE 08.04.2010
----------------	--------------------

CHECKED BY sn	DATE 08.04.2010
------------------	--------------------

DESIGNED BY ol	DATE 08.04.2010
-------------------	--------------------

SIZE A4	DRAWING NUMBER	REV 1
------------	----------------	----------

SCALE 2:1	WEIGHT (g)	SHEET 1/1
--------------	------------	--------------

1

1

D

A